



DEPARTMENT OF REGULATORY AND ECONOMIC RESOURCES (RER)  
 BOARD AND CODE ADMINISTRATION DIVISION  
**NOTICE OF ACCEPTANCE (NOA)**

MIAMI-DADE COUNTY  
 PRODUCT CONTROL SECTION  
 11805 SW 26 Street, Room 208  
 Miami, Florida 33175-2474  
 T (786) 315-2590 F (786) 315-2599  
[www.miamidade.gov/economy](http://www.miamidade.gov/economy)

**Euramax International, Inc. (PA)**  
 450 Richardson Drive  
 Lancaster, PA 17603

**SCOPE:**

This NOA is being issued under the applicable rules and regulations governing the use of construction materials. The documentation submitted has been reviewed and accepted by Miami-Dade County RER - Product Control Section to be used in Miami Dade County and other areas where allowed by the Authority Having Jurisdiction (AHJ).

This NOA shall not be valid after the expiration date stated below. The Miami-Dade County Product Control Section (In Miami Dade County) and/or the AHJ (in areas other than Miami Dade County) reserve the right to have this product or material tested for quality assurance purposes. If this product or material fails to perform in the accepted manner, the manufacturer will incur the expense of such testing and the AHJ may immediately revoke, modify, or suspend the use of such product or material within their jurisdiction. RER reserves the right to revoke this acceptance, if it is determined by Miami-Dade County Product Control Section that this product or material fails to meet the requirements of the applicable building code.

This product is approved as described herein, and has been designed to comply with the Florida Building Code, including the High Velocity Hurricane Zone.

**DESCRIPTION: Equinox Aluminum Louvered Sun Shade**

**APPROVAL DOCUMENT:** Drawing No. EQ-MDC1, titled "Equinox Louvered Roof", sheet 1 of 1, dated 07/21/2015, prepared by the manufacturer, signed and sealed by Carl Putnam, P.E., bearing the Miami-Dade County Product Control approval stamp with the NOA number and approval date by the Miami-Dade County Product Control Section.

**MISSILE IMPACT RATING: None**

**LABELING:** Each unit shall bear a permanent label with the manufacturer's name or logo, city, state, model/series, and following statement: "Miami-Dade County Product Control Approved", unless otherwise noted herein.

**RENEWAL** of this NOA shall be considered after a renewal application has been filed and there has been no change in the applicable building code negatively affecting the performance of this product.

**TERMINATION** of this NOA will occur after the expiration date or if there has been a revision or change in the materials, use, and/or manufacture of the product or process. Misuse of this NOA as an endorsement of any product, for sales, advertising or any other purposes shall automatically terminate this NOA. Failure to comply with any section of this NOA shall be cause for termination and removal of NOA.

**ADVERTISEMENT:** The NOA number preceded by the words Miami-Dade County, Florida, and followed by the expiration date may be displayed in advertising literature. If any portion of the NOA is displayed, then it shall be done in its entirety.

**INSPECTION:** A copy of this entire NOA shall be provided to the user by the manufacturer or its distributors and shall be available for inspection at the job site at the request of the Building Official. This NOA consists of this page 1 and evidence page E-1, as well as approval document mentioned above. The submitted documentation was reviewed by **Carlos M. Utrera, P.E.**



*Signature*  
 09/11/2015

NOA No. 15-0406.01  
 Expiration Date: September 17, 2020  
 Approval Date: September 17, 2015  
 Page 1

NOTICE OF ACCEPTANCE: EVIDENCE SUBMITTED

**A. DRAWINGS**

1. Drawing No. **EQ-MDC1**, titled "Equinox Louvered Roof", sheet 1 of 1, dated 07/21/2015, prepared by the manufacturer, signed and sealed by Carl Putnam, P.E.

**B. TESTS**

1. Test reports on Uniform Static Air Pressure Test, Loading per FBC TAS 202-94 along with marked-up drawings and installation diagram of Equinox Aluminum Louver System, prepared by Intertek/Architectural Testing, Inc, Report No. **D7097.01-109-18**, dated 09/24/2014, with Revision 3 dated 03/19/2015, signed and sealed by Michael D. Stremmel, P.E.

**C. CALCULATIONS**

1. Structural load calculations prepared by Carl Putnam, P.E., dated 03/20/2015, signed and sealed by Carl Putnam, P.E.

**D. QUALITY ASSURANCE**

1. Miami-Dade Department of Regulatory and Economic Resources (RER)

**E. MATERIAL CERTIFICATIONS**

1. None.

**F. STATEMENTS**

1. Statement letter of code conformance to the 5<sup>th</sup> edition (2014) FBC and of no financial interest issued by Carl Putnam, P.E., dated 09/10/2015, signed and sealed by Carl Putnam, P.E.

  
09/11/2015

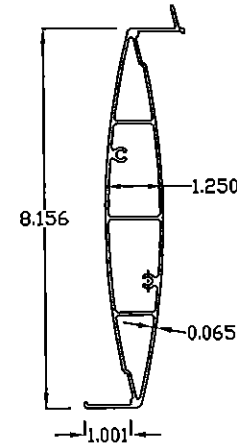
---

Carlos M. Utrera, P.E.  
Product Control Examiner  
NOA No. 15-0406.01  
Expiration Date: September 17, 2020  
Approval Date: September 17, 2015

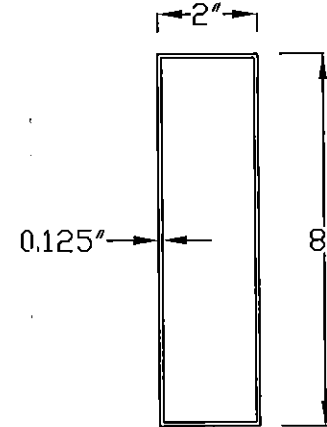
Notes:

1. The supporting framework or structure (including the 2x8 aluminum box headers) is to be designed by a Florida licensed design professional.
2. Deflections in HVHZ for R-3 structures under 12' ROOF PROJECTION are limited by L/80 as per 2014 FBC 1616.3.1 #7.
3. Deflections in HVHZ for ROOF PROJECTIONS (e.g. multispan) over 12' are limited by L/180 as per 2014 FBC Section 1616.3.1 #6
4. The weight of the Equinox Louvers is 1.9 plf or 2.9 psf.
5. This product is to be used for exterior shade structures, such as patio covers, carports, outdoor dining areas and similar.
6. Span is the louver length plus the aluminum mounting rail on both sides, this is usually the inside to inside dimension of the supporting headers/framework. See Detail F6.

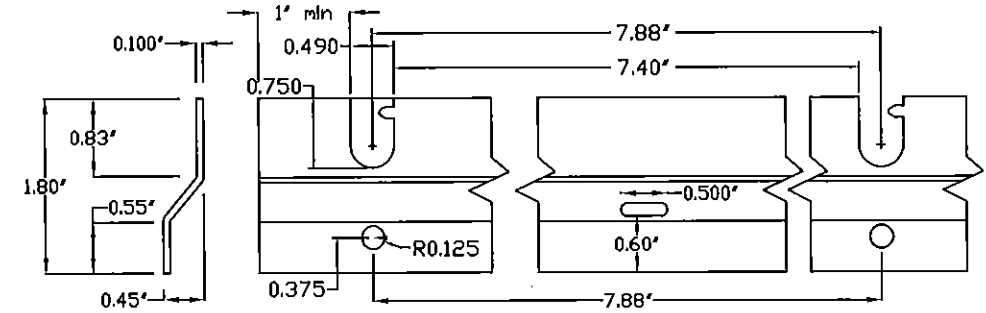
DETAIL F1  
EXTRUDED 6063T6  
ALUMINUM LOUVER



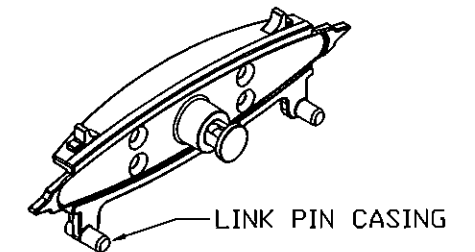
DETAIL F2  
2"x8" EQUINOX HEADER AND  
RETURN BEAM  
(6061-T6 ALUM. ALLOY)



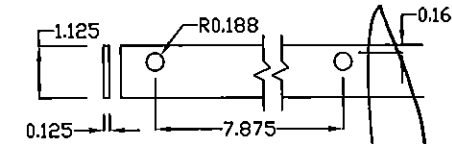
DETAIL F3  
EQUINOX LOUVER  
MOUNTING RAIL  
0.100" 6005A-T5 ALUM



DETAIL F5  
CAST ALUMINUM A380  
END CAP

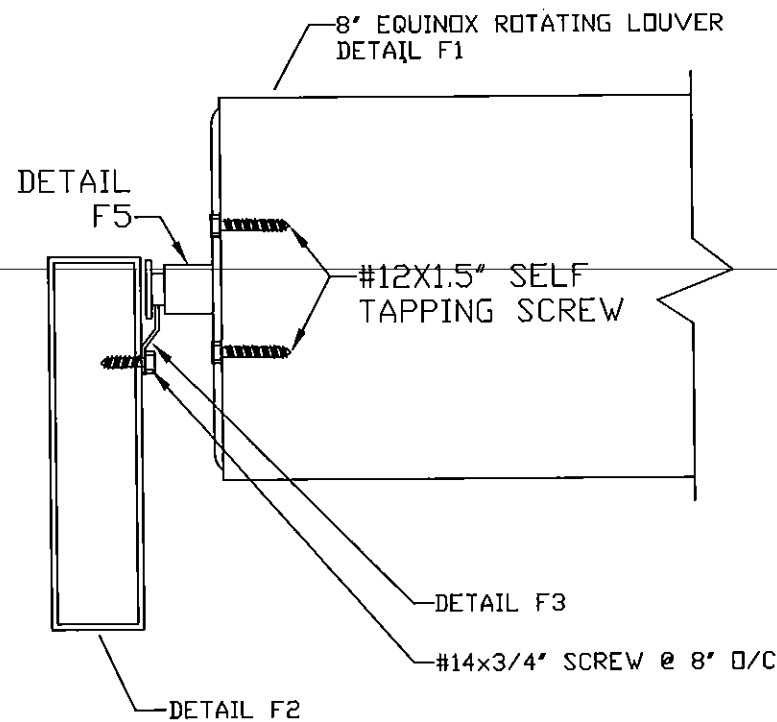


DETAIL F7  
LINK BAR  
6061T6 ALUM

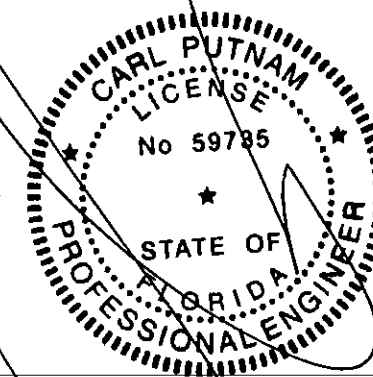


Equinox Louver		Deflection Limits (Span / #)			
Span		L/80	L/180	L/80	L/180
(in)	(ft)	Allowable Uplift Pressures (psf)		Allowable Down/Gravity Pressures (psf)	
92"	7.67'	80.5	36.7	75.9	32.1
98"	8.17'	66.9	30.7	62.3	26.1
104"	8.67'	56.3	26.0	51.7	21.4
110"	9.17'	47.8	22.2	43.2	17.6
116"	9.67'	41.0	19.2	36.4	14.6
122"	10.17'	35.5	16.7	30.9	12.1
128"	10.67'	31.0	14.7	26.4	10.1
134"	11.17'	27.2	13.1	22.6	8.5
140"	11.67'	24.1	11.7	19.5	7.1

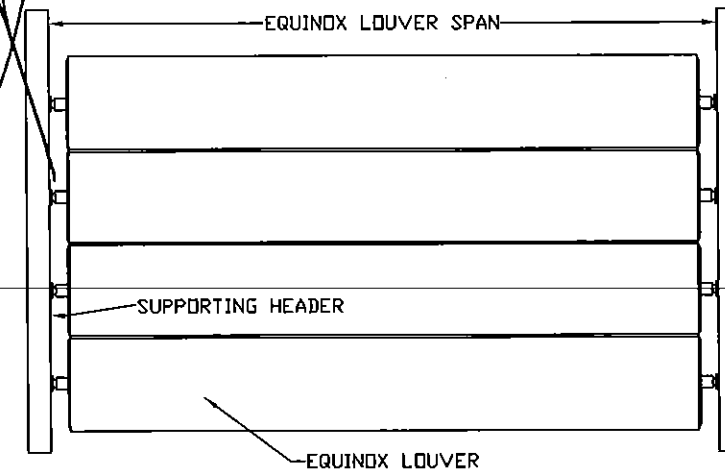
DETAIL F4  
EQUINOX LOUVER TO MOUNTING  
RAIL TO HEADER CONNECTION



JUL 21 2015

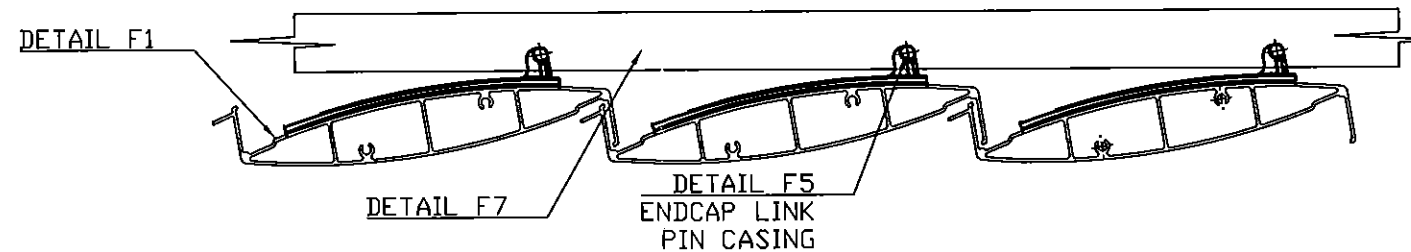


DETAIL F6  
EQUINOX LOUVER SPAN



Approved as complying with the  
Florida Building Code  
Date 09/17/2015  
NOA# 150406.01  
Miami Dept. Product Control  
By *[Signature]*

DETAIL F8 ASSEMBLED LOUVERS W/ LINK BAR



Product Drawing # EQ-MDC1  
Equinox Louvered Roof

DATE	DRAWN BY	CARL PUTNAM	3441 IVYLINK PLACE LYNCHBURG, VA 24503 (434) 384-2514 CARLPUTNAM@COMCAST.NET
1/7/15	CMP	P.E. FL #59735	
7/21/15	CMP	Euramax International, Inc.	303 Research Drive Norcross, GA 30092 (678) 728-9639
		FILE EquinoxPlansFBC_MDC.dwg	Page 1 of 1